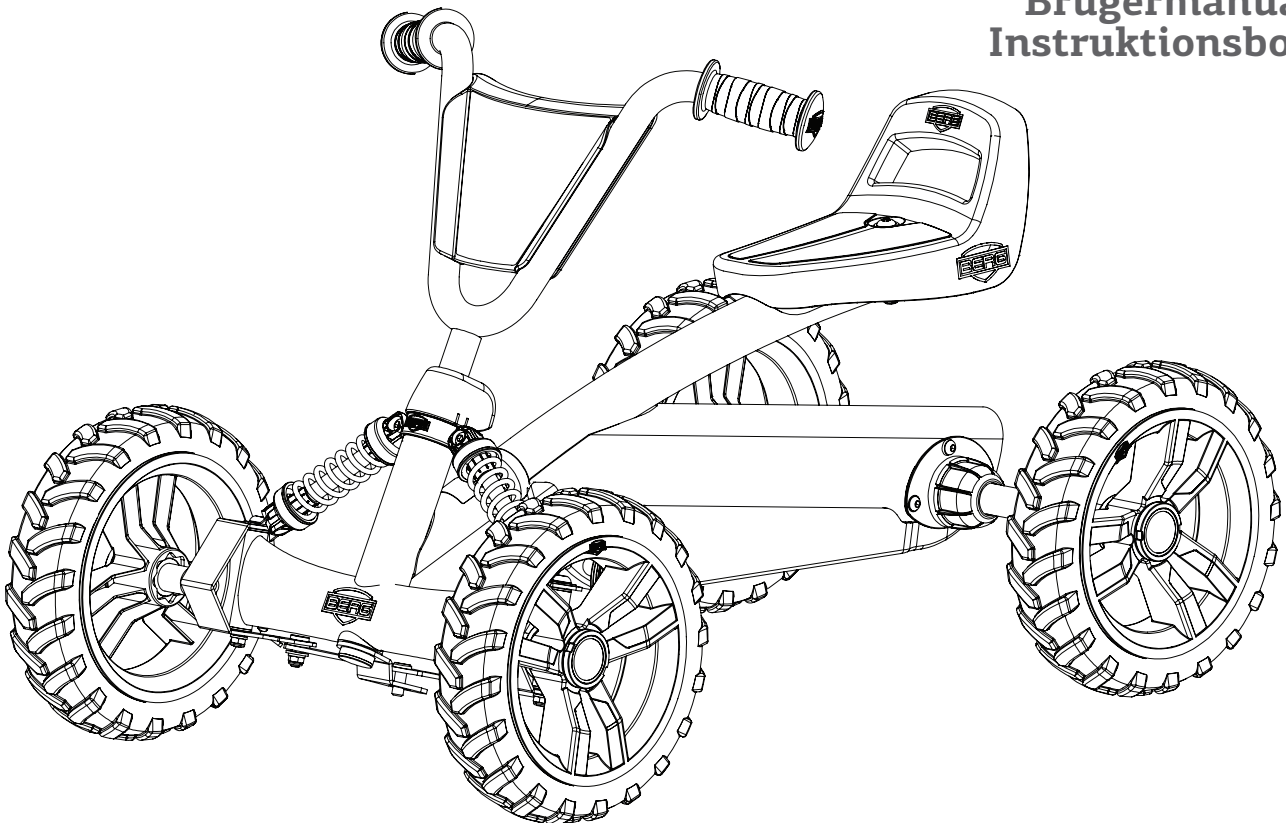




# BERG Buzzy Nitro

User manual  
Gebruikshandleiding  
Gebrauchsanweisung  
Mode d'emploi  
Manual de usuario  
Istruzione per l'uso  
Brugermanual  
Instruktionsbok



#### ⚠ WARNINGS

Choking hazard - small parts - Adult assembly required  
Retain for future reference

#### ⚠ WAARSCHUWINGEN

Te monteren door een volwassene  
Bewaar de gebruikshandleiding voor toekomstig gebruik

#### ⚠ ACHTUNG

Der Zusammenbau ist durch einen Erwachsenen vorzunehmen  
Bewahren Sie die Anleitung für die zukünftige Verwendung

#### ⚠ ATTENTION

Assemblage par un adulte requis.  
Conserver la mode d'emploi pour utilisation future

#### ⚠ ADVERTENCIAS

Se requiere ensamblaje por un adulto.  
Conserver las instrucciones para uso futuro

#### ⚠ ATTENZIONE

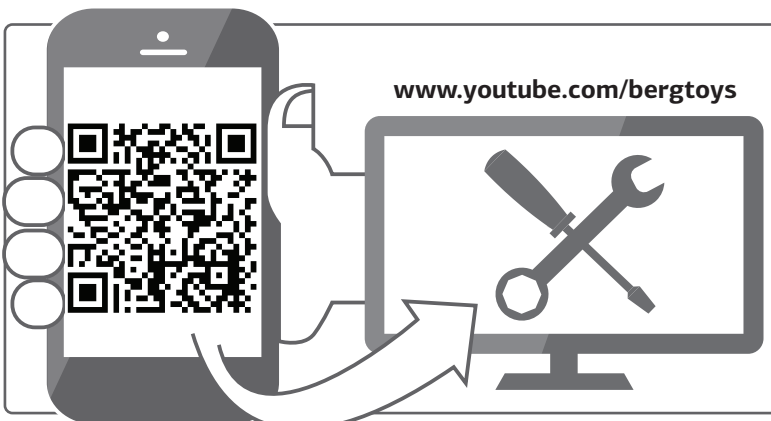
Richiesto assemblaggio da parte di un adulto.  
Conservare le istruzioni per un uso future.

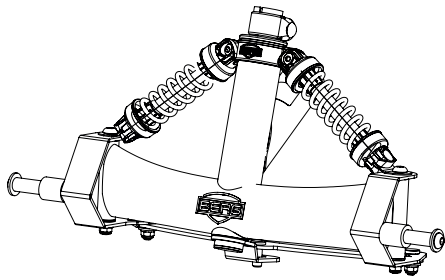
#### ⚠ ADVARSLER

Skal samles af en voksen.  
Gem brugervejledningene til fremtidig reference

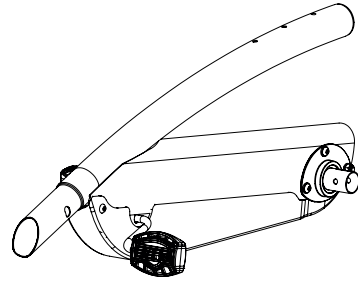
#### ⚠ VARNINGAR

Montering av en vuxen krävs.  
Behåll användarmanualen för framtida bruk

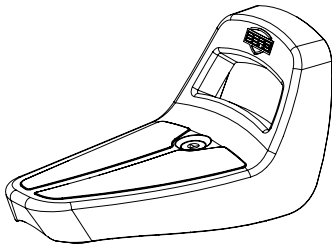




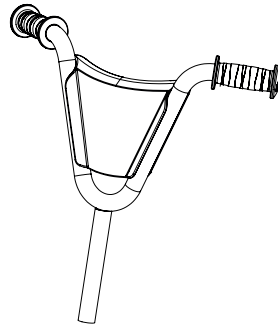
**1** 1x



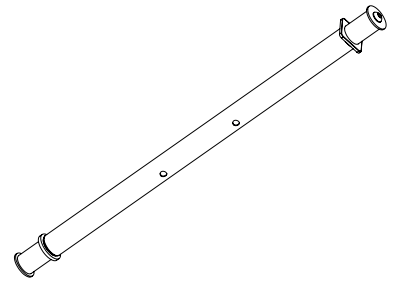
**2** 1x



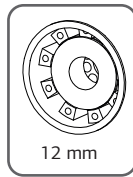
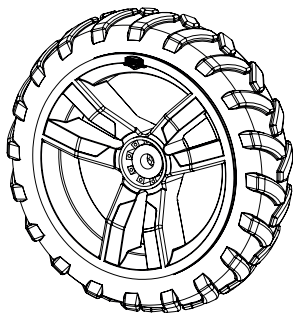
**3** 1x



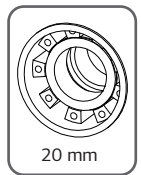
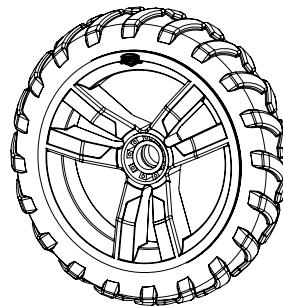
**4** 1x



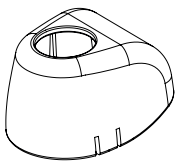
**5** 1x



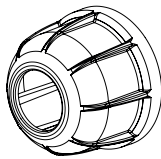
**6** 2x



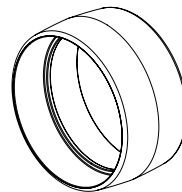
**7** 2x



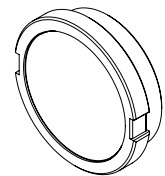
**8** 1x



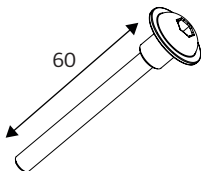
**9** 2x



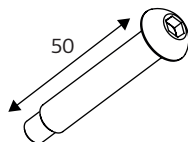
**10** 1x



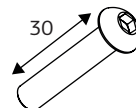
**11** 4x



**12** 1x



**13** 1x



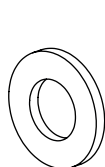
**14** 2x



**15** 1x



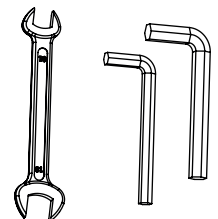
**16** 3x



**17** 1x



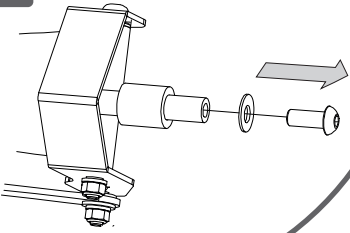
**18** 2x



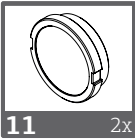
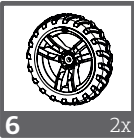
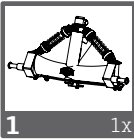
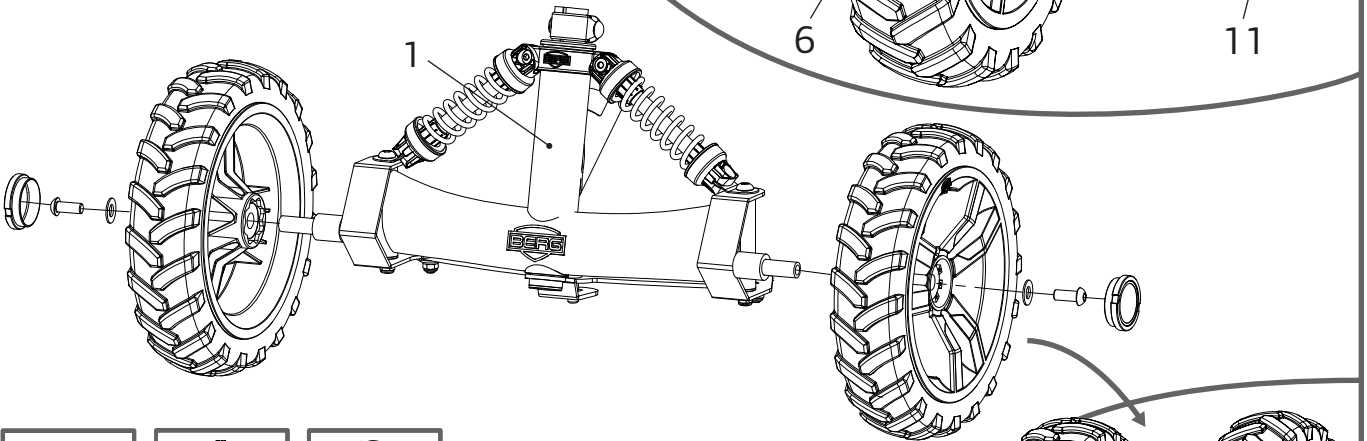
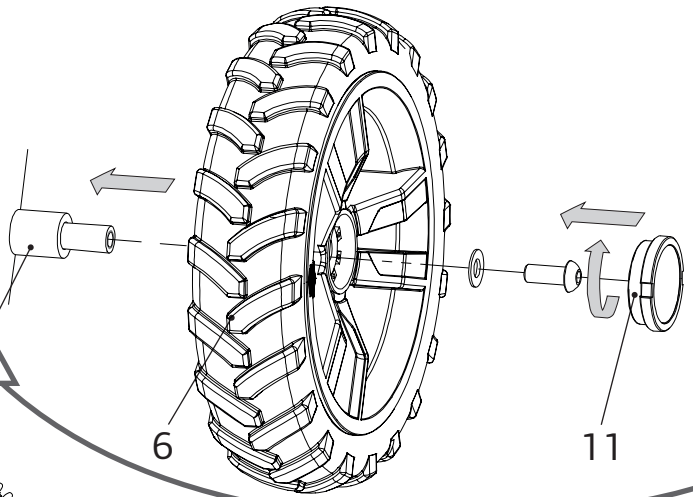
**19** 1x



1



2

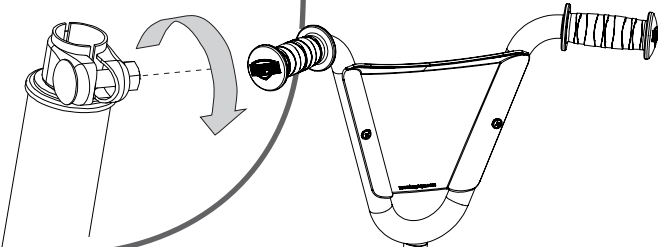


1 1x

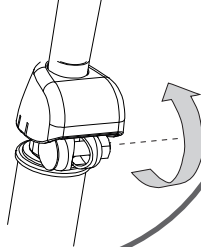
6 2x

11 2x

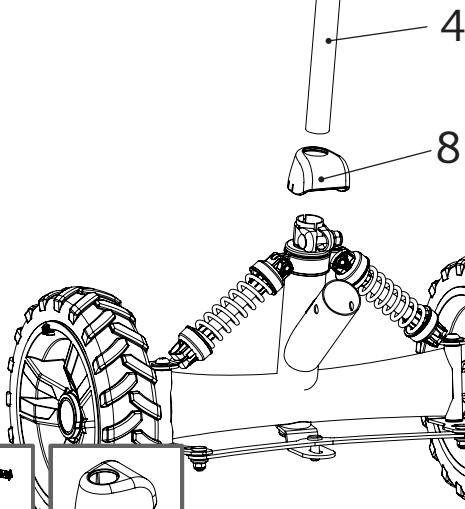
3



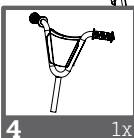
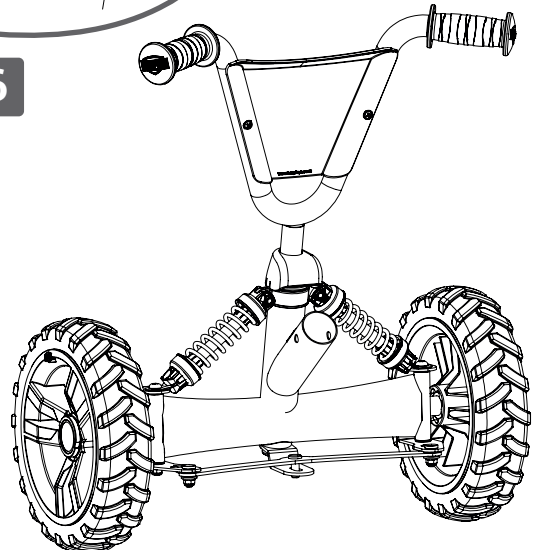
5



4



6

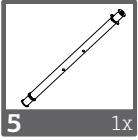
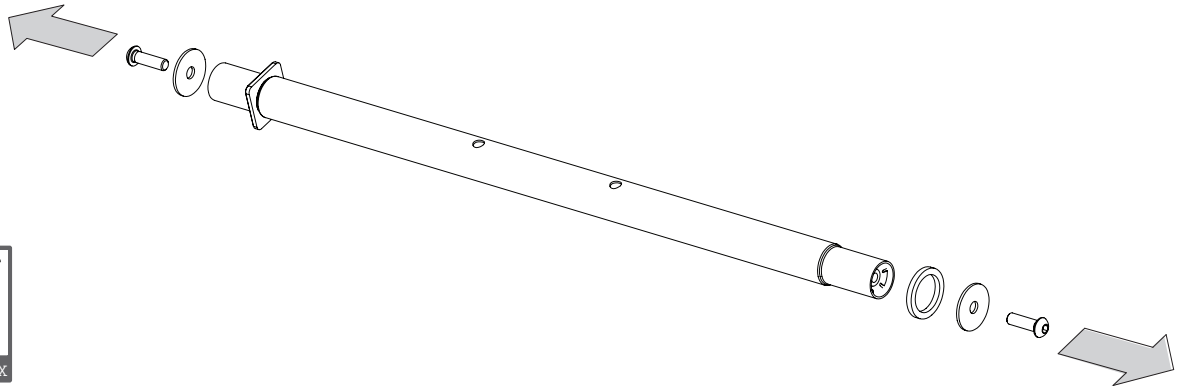


4 1x

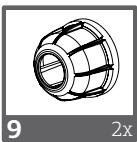
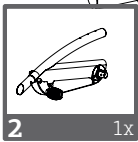
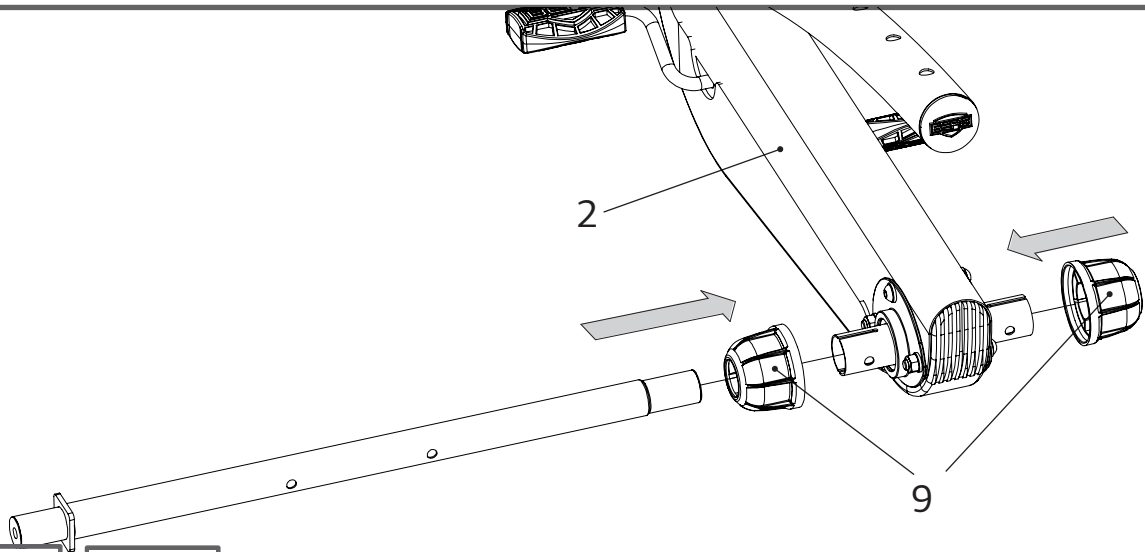
8 1x



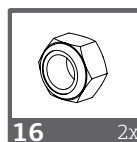
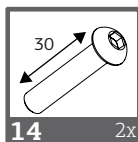
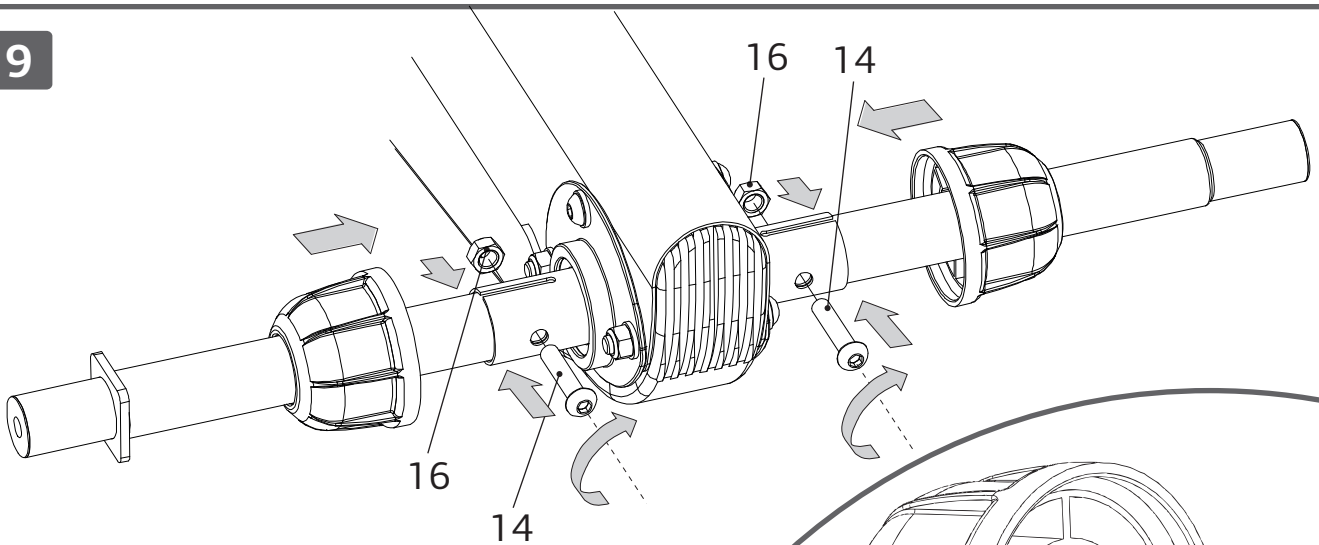
7



8



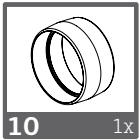
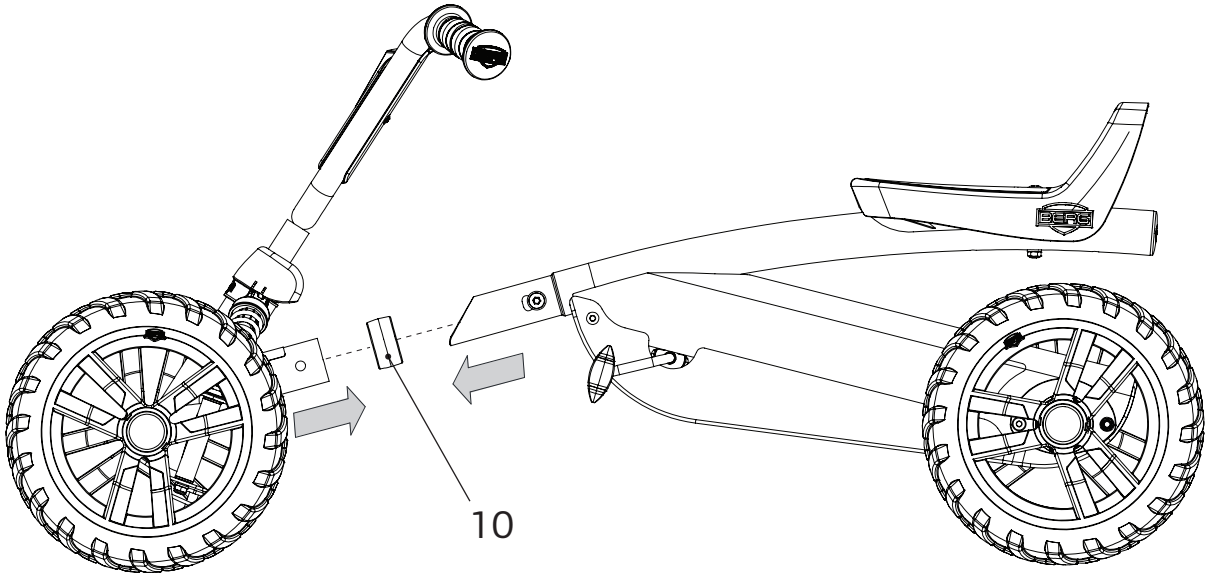
9





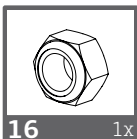
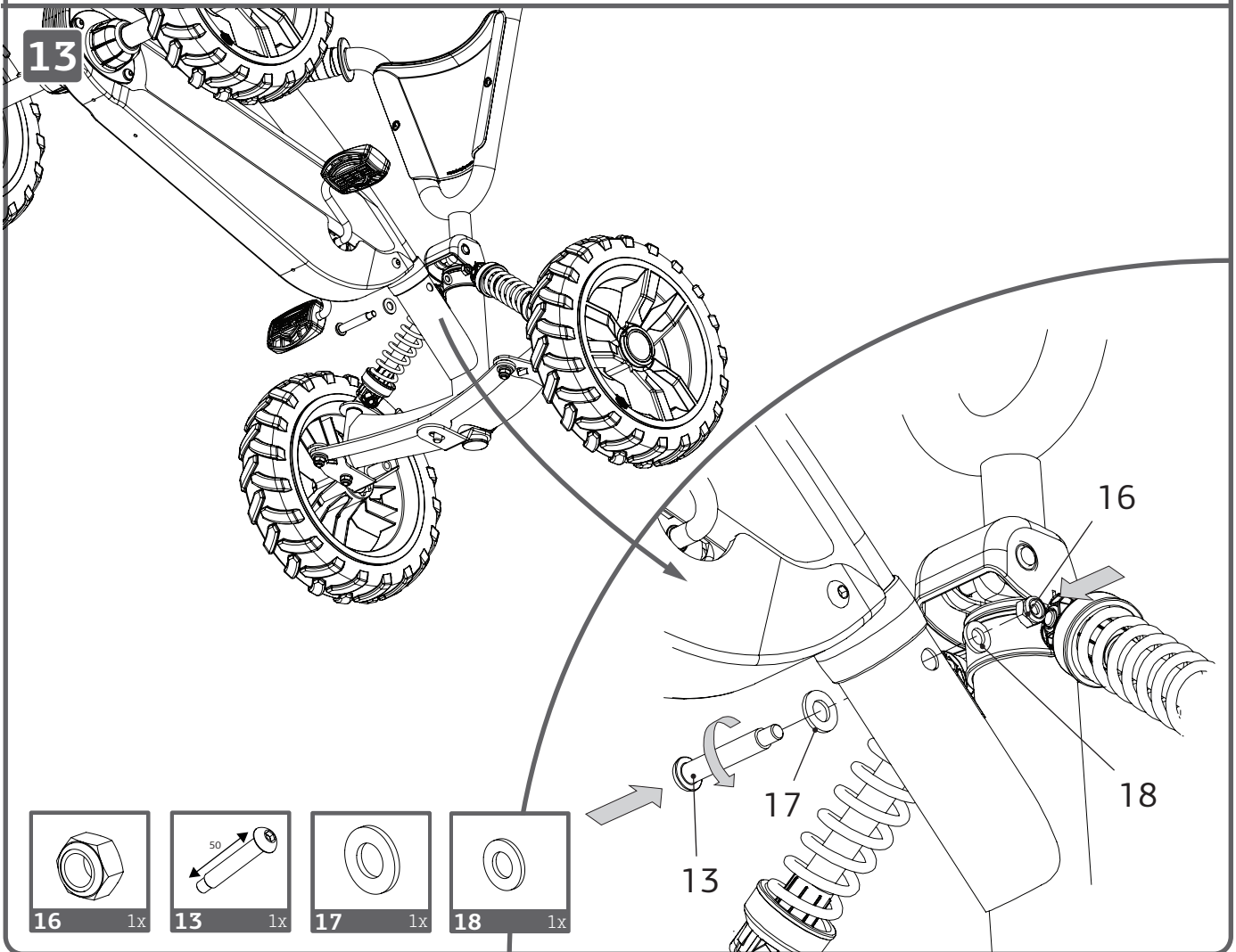


12

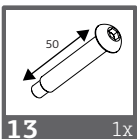


10 1x

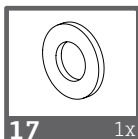
13



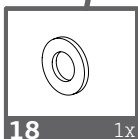
16 1x



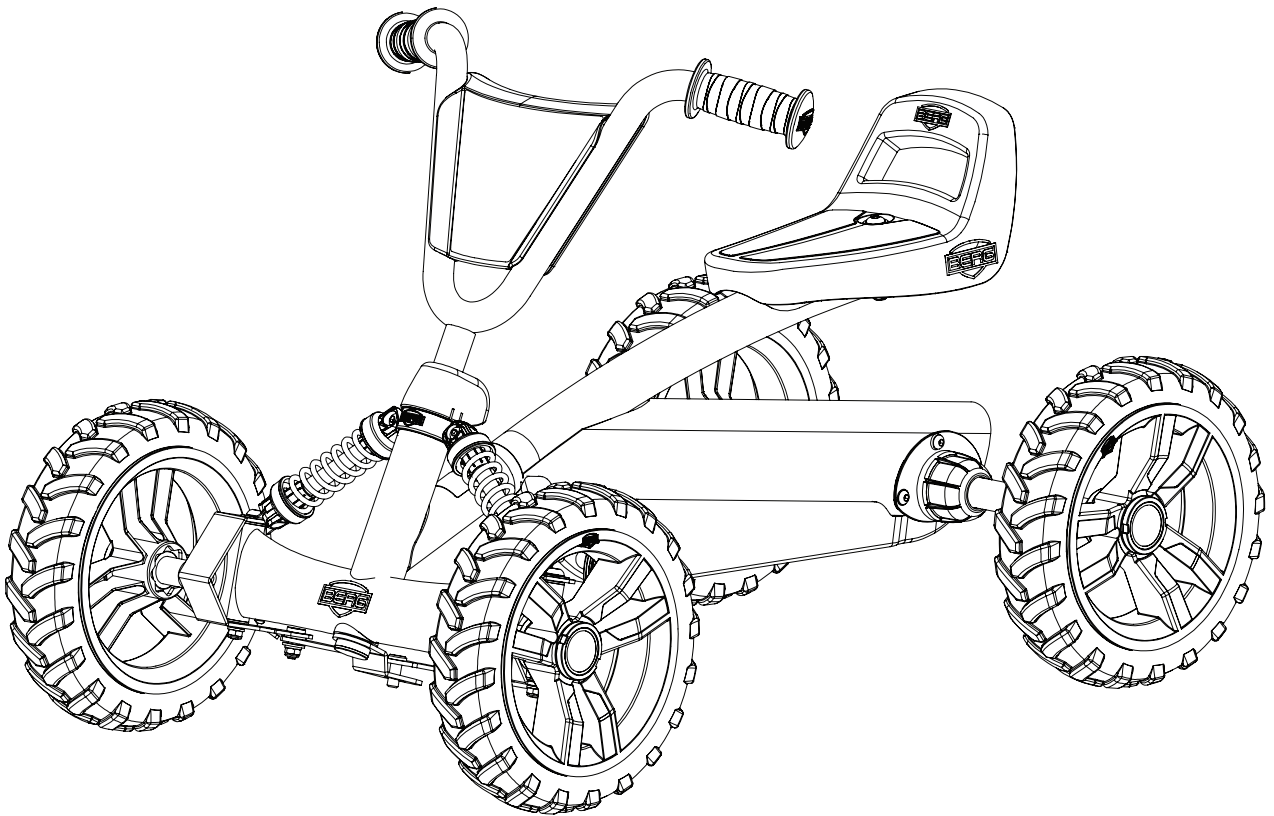
13 1x



17 1x



18 1x



## Introduction

Congratulations on your purchase of a BERG go-kart.

BERG strives to design and produce robust and safe products. Your choice for a BERG product means you have chosen a product that will give years of pleasure. Because of the continuous development of our products we retain the right to change product specifications without giving any notice.

Read the manual carefully for the required safety and maintenance instructions.

The BERG product has a long life span, but will need some maintenance from time to time. You will find the instructions for maintenance in this User's Manual. People who keep this in mind are guaranteed of a hardwearing toy that will last for many years.

Visit our homepage at [www.bergtoys.com](http://www.bergtoys.com) to find out more about BERG and see our products and accessories. You are warmly invited to send an e-mail to BERG, with your suggestions for improvement and other experiences. You can send these to [info@bergtoys.com](mailto:info@bergtoys.com).

## Content

1. Warnings
2. User guidelines
  - 2.1 Safety
  - 2.2. User instructions
    - 2.2.1 Before Use
    - 2.2.2 During use
    - 2.2.3 Trailer
  - 2.3 Restrictions for use
3. Maintenance
  - 3.1 Maintenance scheme
  - 3.2 Maintenance activities
    - 3.2.1. Frame
    - 3.2.2. Wheels / Tires
    - 3.2.3. Steering
    - 3.2.4. Chain
    - 3.2.5. Plastic Parts
    - 3.2.6. Crank adjustment
4. Warranty
  - 4.1. Warranty period
  - 4.2 Warranty regulation



## 1. Warnings

- Adult supervision required
- This product may not be used on public roads.
- This product has no brake.
- Do not turn sharp when driving with high speed. The go-kart can tip!
- Be aware of loose hanging pieces of clothing such as scarves and shoelaces. These can become entangled in moving parts, which can lead to accidents.
- Never ride if you are under the influence of alcohol, drugs or medicines that can negatively affect your reaction time or powers of observation

## 2. User guidelines

BERG or the dealer cannot be held responsible for improper use of this product. Read these guidelines before use to properly and safely use this product. BERG cannot be held responsible for any omissions in this manual.

### 2.1 Safety

Children (under 12) may only use the product under the guidance of an adult. Always pay attention to the highest possible safety measures. If you have questions or are not sure of something, then visit your local dealer or contact BERG.

### 2.2 User instructions

Only use your BERG product as instructed below. Any unauthorized use could result in serious injuries to the user and/or the product.

#### 2.2.1 Before Use

- Adjust the seat and steering wheel to the correct position, according to the size of the user.
- Make sure the steering, brakes and tires are functioning correctly and the bolts and nuts are fixed.
- Protective covers, which have been removed for maintenance purposes, should always be put back in the original state before use.
- Check if the tire pressures meet the safety norms as shown on the tire (28 psi/1,9 bar). The function of the brake and the steering depend on these being correct.
- The adult is responsible for instructing the child how to operate this product.

#### 2.2.2 During use

- The toy should be used with caution since skill is required to avoid falls or collisions causing injury to the user or third parties.
- Ride at a suitable speed where you have control.
- Going downhill considerably increases your speed and accidents can occur. The braking distance will also be longer! It is not allowed to use this product on hills or slopes (up and downhill), there is a risk the product can tip over.
- Wearing protective gear is not mandatory but in the interest of safety it is advised.
- When parking, make sure that the go-kart cannot drive away, by turning the steering to the right or left steering position.
- Do not place any unnecessary object on or against the steering wheel/bar. Make sure that the steering wheel/bar always functions properly.

### 2.2.3 Trailer

If a trailer is connected to the go-kart, you must remember that the braking distance will be longer. The trailers from BERG may not be hooked on the go-kart while standing on steep slopes. No people are allowed in the trailer. For the maximum load weight for the trailer please refer to the trailer User's Guide.

### 2.3 Restrictions for use

- Always brake using the back pedal brake.
- Do not ride backwards at great speeds. Doing this could make you lose control.
- Collisions or other stunts increase the chance of injury to both the user and the product and are not allowed.
- Avoid contact with moving parts while riding the product.
- Do not get on or off the product while it is moving
- Do not overload the product. Maximum user weight is 30 kg.
- Never ride in the dark without lights
- Only original BERG accessories may be used. BERG has a range of accessories with which you can adapt the go-kart entirely to your own wishes. You can find all the accessories at [www.bergtoys.com](http://www.bergtoys.com).

## 3. Maintenance

Some maintenance is necessary in order to use the BERG product and have fun with it for a long time. This chapter describes how, how often, and which maintenance must be carried out.

### 3.1 Maintenance scheme

Daily	Monthly	Half yearly	Yearly
<b>Wheels / tires</b> Check for wear.	<b>Frame</b> Clean and check all nuts and bolts  Check the frame for any cracks and fractures  <b>Driving mechanism</b> Check chain for correct tension Chain greasing  <b>Steering</b> Check all nuts and bolts Lubricate the moving parts Clean and oil the chains	<b>Driving mechanism</b> Check for correct functioning of bearings, chain, hub, sprockets and axles	<b>Plastic parts</b> Clean the plastic parts and check damage

### 3.2 Maintenance activities

#### 3.2.1 Frame

The frame is powder-coated or black zinc plated. To prevent any rust forming it is important to regularly clean the frame. If you want to conserve the frame with grease, only use acid free substances. You can treat damaged areas with paint.

Check the bolts and nuts for rust and replace them to prevent them from breaking which can cause injuries.

#### 3.2.2 Wheels/tires

Regularly check the rims and tires for any damage (for example cuts, cracks and bulges). Attention: damaged rims and tires can lead to accidents! The tires must not come into contact with oil, grease or fuel.

#### 3.2.3 Steering

The steering equipment must be checked every month for the following:

- Damage, rust, wear and tear.
- All the nuts and bolts must be tightened.

### 3.2.4 Chain

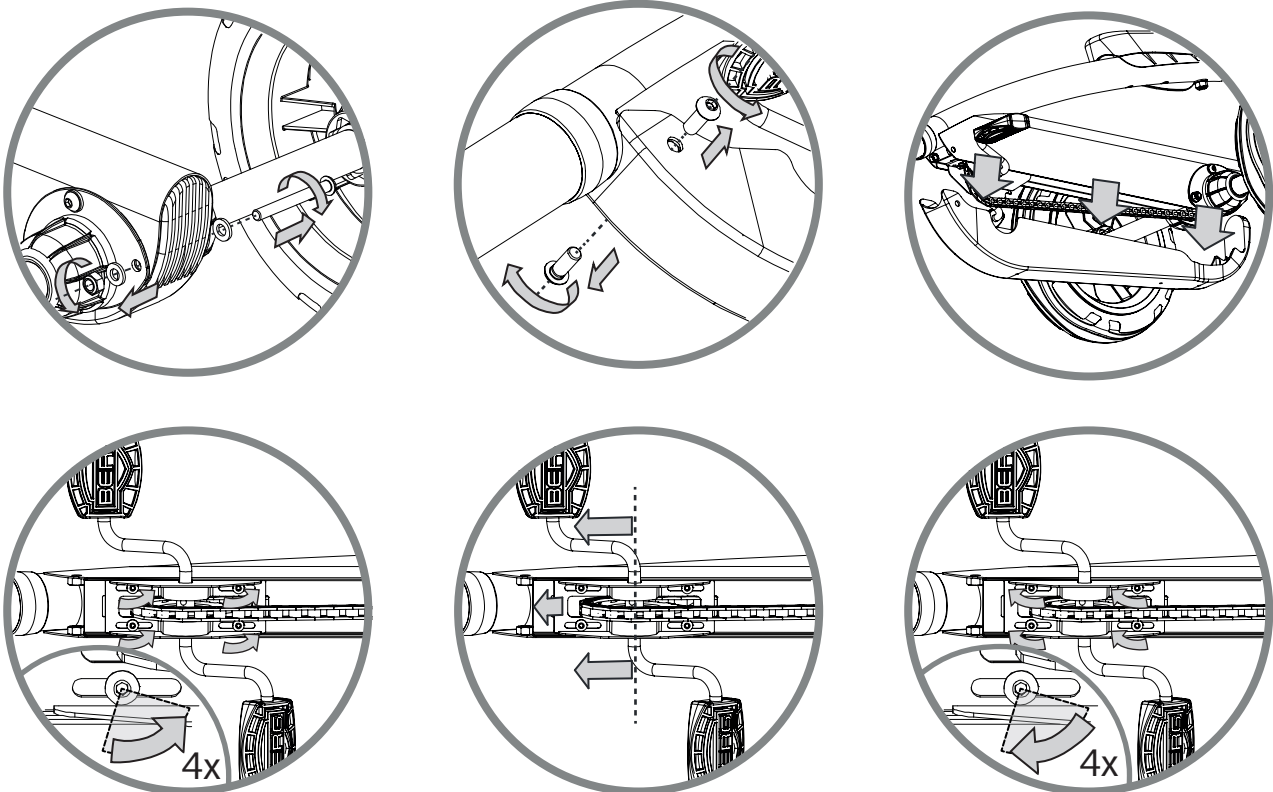
The product has a driving mechanism with one chain, which needs proper maintenance.

Make sure that the chain is sufficiently oiled so it can run smoothly.

If a chain is too tightly tensioned, the product will be more difficult to pedal and there is a big chance that wear and tear of the chain and sprocket, among other things, will occur faster. If a chain is not tight enough, the chain can easily come off the sprocket, or there is a chance of damage to the chain housing.

To tension the chain:

- Remove the plastic chain guard by loosening the bolts on the front side and the bolt on the rear side.
- Untighten but do not remove the four bolts on the bottom side near the front sprocket.
- Tension the chain by moving the pedal axle forwards and hold it tight.
- The chain has the correct tension if the middle can be pushed 6 millimeters downwards.
- Tighten the four bolts again. Keep the sprocket wheel parallel to the chain guard.
- Mount the chain guard when the chain has the correct tension.
- The chain guard has to be removed to grease the chain and check the chain tension.



### 3.2.5 Plastic parts

The plastic parts must be checked regularly for damage a breakage.

In the case of breakage you must immediately replace the part concerned with an original part, in order to guarantee the safety of the user.

## 4. Warranty

### 4.1 Warranty period

The owner of this BERG product has the following warranty on this product:

- The frame has a warranty of 2 years from the date of purchase.
- Other parts have a warranty of 1 year from the date of purchase.
- Parts that are liable to wear and tear (such as chains and tires) are excluded from warranty.
- Check for extensive guarantee regulations [www.bergtoys.com](http://www.bergtoys.com).

### 4.2 Warranty regulations

The owner of the product can only claim a warranty by presenting the original bill of the purchase. The warranty only applies to material and construction faults and with respect to this product or parts thereof. The warranty lapses if:

- The product is incorrectly and/or carelessly used.
- Use of the product is not in accordance with its purpose.
- The product is not assembled and maintained in conformance with the user manual.
- Technical repairs to the product are not carried out in a professional way.
- Parts mounted afterwards do not meet technical specifications of the product involved or have not been mounted correctly.
- Added parts or replaced parts are no official BERG spare parts or accessories.
- Deficiencies arise as a result of climate influences, such as rust or normal weathering of the paint work.
- The product has been used for rental purposes or in any other way made available to several unspecified persons.

Under no circumstances can BERG be held responsible for damage to the products (of parts thereof) as a result of:

- Incorrect adjustment/tightening of the steering, the steering mechanism, chain and tires.
- Replacement of parts such as the chain and tires not being carried out in time.

During the warranty period, all material and construction faults assessed by BERG will be repaired or replaced at the discretion of BERG.

The owner of the product can only lay claim under this warranty by returning to the company where the product was bought. Besides the complaint, take the product serial number and original purchase receipt with you. You can find the serial number on the frame of the product.

If the claim under the warranty is refused, all costs incurred must be paid by the owner.

The warranty is not transferable to third parties



## Product registration

### Would you like free supplementary guarantee?\*

Don't forget to register your product online immediately! Go to [www.bergtoys.com/registration](http://www.bergtoys.com/registration). This will ensure your 5-year (go-karts), 8-year or 13-year (trampolines) frame guarantee on your purchase.

\*For the conditions, please visit [www.bergtoys.com/registration](http://www.bergtoys.com/registration)

### Wil je extra gratis garantie?\*

Vergeet je product dan niet na aankoop direct online te registreren via [www.bergtoys.com/nl/registration](http://www.bergtoys.com/nl/registration). Hiermee krijg je 5 (skelters), 8 of 13 jaar (trampolines) framegarantie op jouw aankoop.

\*Bekijk de voorwaarden op [www.bergtoys.com/nl/registration](http://www.bergtoys.com/nl/registration)

### Möchtest du eine kostenlose Zusatzgarantie?\*

Vergiss dann nicht, dein Produkt gleich nach dem Kauf unter [www.bergtoys.com/de/registration](http://www.bergtoys.com/de/registration) online zu registrieren! Du erhältst dann eine Garantie von 5 (Pedal-Gokarts), 8 oder 13 Jahren (Trampoline) auf den Rahmen deines neuen Produkts.

\*Die Bedingungen findest du auf [www.bergtoys.com/de/registration](http://www.bergtoys.com/de/registration)

### Veux-tu une garantie supplémentaire gratuite?

N'oublie pas d'enregistrer ton produit en ligne directement après l'achat via [www.bergtoys.com/fr/registration](http://www.bergtoys.com/fr/registration). Tu auras ainsi 5 ans (karts à pédales), 8 ou 13 ans (trampolines) de garantie sur le cadre du produit acheté.

\*Consulte les conditions sur [www.bergtoys.com/fr/registration](http://www.bergtoys.com/fr/registration)

### ¿Quieres garantía adicional de forma gratuita?\*

¡Entonces no olvides registrar el producto directamente online a través de [www.bergtoys.com/es/registration](http://www.bergtoys.com/es/registration). De esta manera obtendrás 5 (coches de pedales), 8 o 13 años (camas elásticas) de garantía sobre la estructura/armazón.

\*Consulta las condiciones en [www.bergtoys.com/es/registration](http://www.bergtoys.com/es/registration)

### Desideri la garanzia addizionale gratuita?\*

Non dimenticarti di registrare immediatamente il prodotto online. Vai su [www.bergtoys.com/registration](http://www.bergtoys.com/registration). Otterrai la garanzia di 5 anni (go-kart), 8 anni o 13 anni (trampolini) sul tuo acquisto.

\*Per le condizioni, visita [www.bergtoys.com/registration](http://www.bergtoys.com/registration)

### Er du interessert i en gratis supplerende garanti?\*

Glem ikke at registrere dit produkt online med det samme! Gå til [www.bergtoys.com/registration](http://www.bergtoys.com/registration). Dette vil sikre, at du får en rammegaranti på 5 år (go-karts) samt 8 eller 13 år (trampolinerne).

\*For at se betingelserne, så besøg [www.bergtoys.com/registration](http://www.bergtoys.com/registration)

### Vill du ha extra gratis garanti?\*

Glöm då inte att direkt efter köpet registrera din produkt online via [www.bergtoys.com/registration](http://www.bergtoys.com/registration). Då får du 5 (trampbilar), 8 eller 13 (studsmattor) års ramgaranti på ditt köp.

\*Se alla villkor på [www.bergtoys.com/registration](http://www.bergtoys.com/registration)



[www.bergtoys.com/registration](http://www.bergtoys.com/registration)